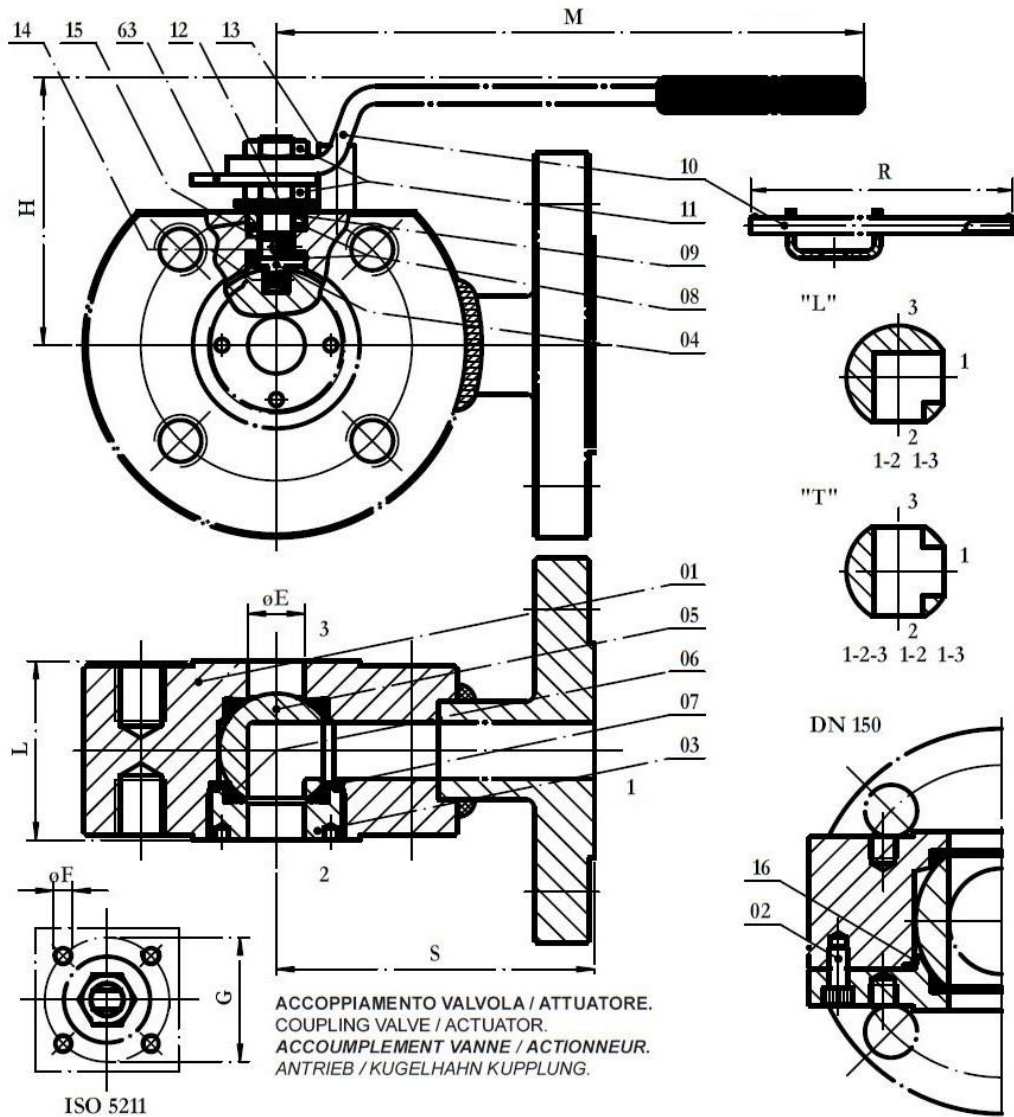


# ALFA 103

## 3- way compact ball valves PN 10/40, ANSI 150/300 (ANSI 600)



DIMENSIONI - DIMENSIONS - DIMENSIONS - ABMESSUNGEN

| DN       | 15      | 20      | 25      | 32      | 40      | 50      | 65      | 80      | 100       | 125       | 150     |
|----------|---------|---------|---------|---------|---------|---------|---------|---------|-----------|-----------|---------|
| Ø"       | ½"      | ¾"      | 1"      | 1¼"     | 1½"     | 2"      | 2½"     | 3"      | 4"        | 5"        | 6"      |
| ØE       | 10      | 14      | 19      | 24      | 34      | 43      | 60      | 70      | 84        | 110       | 140     |
| L        | 50      | 50      | 50      | 60      | 70      | 100     | 115     | 130     | 150       | 185       | 300     |
| S        | 85      | 90      | 90      | 105     | 120     | 130     | 150     | 175     | 185       | 200       | 215     |
| M / R    | 145 / - | 145 / - | 180 / - | 180 / - | 275 / - | 275 / - | 380 / - | 380 / - | 440 / 500 | 440 / 500 | - / 800 |
| H        | 64      | 66      | 85      | 90      | 118     | 126     | 139     | 144     | 195       | 212       | 265     |
| Kg.      | 3       | 4       | 4.5     | 6       | 9       | 17      | 22      | 30      | 44        | 65        | 111     |
| ISO 5211 | F03     | F03     | F03     | F03     | F05     | F05     | F07     | F07     | F10       | F10       | F14     |
| ØF       | M5      | M5      | M5      | M5      | M6      | M6      | M8      | M8      | M10       | M10       | M16     |
| G        | 36      | 36      | 36      | 36      | 50      | 50      | 70      | 70      | 102       | 102       | 140     |

# ALFA 103

## MATERIALI - MATERIALS - MATERIAUX - WERKSTOFFE

|    |                         |                    |                        |                           |   |                |               |
|----|-------------------------|--------------------|------------------------|---------------------------|---|----------------|---------------|
| 01 | CORPO                   | BODY               | CORPS                  | GEHÄUSE                   | ASTM A105   | ASTM A479 F304 | ASTMA479 F316 |
| 02 | VITE                    | SCREW              | VIS                    | SCHRAUBE                  | 8.8 UNI 3740<br>ZINCATO - GALVANIZED - ZINGUE- VERZINKT         |                |               |
| 03 | CHIUSURA                | CLOSURE            | EMBOUIT                | FLANSCHSTUTZEN            | ASTM A105   | ASTM A479 F304 | ASTMA479 F316 |
| 04 | STELO                   | STEM               | TIGE                   | SPINDEL                   | ASTM A182 F6<br>ASTM A276 F420                                  | ASTM A182 F304 | ASTMA182 F316 |
| 05 | SFERA                   | BALL               | BOULE                  | KUGEL                     | ASTMA182 F304   |                | ASTMA182 F316 |
| 06 | SEDI                    | SEATS              | SIEGE                  | SITZRING                  | P.T.F.E. / R.T.F.E. / P.T.F.E. +A.M.                            |                |               |
| 07 | GUARNIZIONE CORPO       | BODY GASKET        | ANNEAU                 | DICHTUNGSRING             | P.T.F.E. +GRAF.   | P.T.F.E.       |               |
| 08 | BUSSOLA                 | WASHER             | JOINT DE TIGE          | SPINDELABDICHTUNG         | P.T.F.E. +GRAF.   | P.T.F.E.       |               |
| 09 | PREMIGUARNIZIONE        | GLAND              | PRESSE ETOUPE          | STOPFBÜCHSE               | CF9SMnPb36 UNI 4838<br>ZINCATO - GALVANIZED<br>ZINGUE- VERZINKT | ASTM A479 F304 |               |
| 10 | LEVA                    | LEVER              | LEVIER                 | HANDHEBEL                 | Fe 37 UNI 7070<br>ZINCATO - GALVANIZED - ZINGUE- VERZINKT       |                |               |
| 11 | DADO / CONTRODADO       | NUT / LOCK NUT     | ECROU / CONTREECROU    | MUTTER / KONTERMUTTER     | 6S UNI 3740<br>ZINCATO - GALVANIZED - ZINGUE - VERZINKT         |                |               |
| 12 | MOLLE A TAZZA           | SPRING WASHER      | RONDELLES BELLEVILLE   | TELLERFEDER               | 50CrV4 UNI 3545<br>ZINCATO - GALVANIZED - ZINGUE - VERZINKT     |                |               |
| 13 | DISPOSITIVO D'ARRESTO   | STOP DEVICE        | PLOT D'ARRET           | ANSCHLAG VORRICHTUNG      | 8.8 UNI 3740<br>ZINCATO - GALVANIZED - ZINGUE- VERZINKT         |                |               |
| 14 | DISPOSITIVO ANTISTATICO | ANTISTATIC DEVICE  | CONTACT ANTISTATIQUE   | ANTISTATISCHE VORRICHTUNG | ASTM A182 F304  | ASTMA 182 F316 |               |
| 15 | O'RING STELO            | STEM O'RING        | O'RING TIGE            | SPINDEL O'RING            | VITON   |                |               |
| 63 | INDICATORE DI POSIZIONE | POSITION INDICATOR | INDICATEUR DE POSITION | POSITION ANZEIGER         | Fe 37 UNI 7070<br>ZINCATO - GALVANIZED - ZINGUE - VERZINKT      |                |               |

## ESECUZIONI STANDARD - STANDARD EXECUTIONS EXECUTION STANDARD - STANDARD-AUSFÜHRUNGEN

- REALIZZAZIONE DA BARRA O FUSIONE IN ACCIAIO INOX 0 AL CARBONIO  
FROM BAR STOCK OR CASTINGS IN STAINLESS OR CARBON STEEL.

- STELO ANTI BLOW-OUT  
ANTI BLOW-OUT STEM

- DISPOSITIVO ANTISTATICO.  
ANTISTATIC DEVICE

- TENUTA ADDIZIONALE SU STELO CON O'RING.  
ADDITIONAL STEM SEAL WITH O-RING.

- FORATURA PIANO PREMISTOPPA A NORMA ISO 5211.  
DRILLING OF TOP MOUNTING ACCORDING TO ISO 5211.

EXECUTION DANS LA BARRE OU FUSION EN ACIER INOX OU AU CARBONE.  
STANGEN ODER GUßAUSFÜHRUNGEN FÜR STAHL UND EDELSTAHL.

TIGE ANTI EJECTABLE.  
ANTI BLOW-OUT SPINDEL.

SISTEME ANTISTATIQUE.  
ANTISTATISCHE AUSFÜHRUNG.

ETANCHEITE SUPPLEMENTAIRE DE LA TIGE AVEC JOINT TORIQUE.  
ZUSÄTZLICHE SPINDEL DICHTUNG MIT O-RING.

PERGAGE DE LA PLATINE DE PRESSE ETOUPE SUIVANT NORME ISO 5211.  
ANSCHLUSSMASSE NACH ISO 5211

## ESECUZIONI A RICHIESTA - EXECUTIONS ON REQUEST EXECUTION SUR DEMANDE - AUSFÜHRUNGEN AUF ANFRAGE

- ALTRI MATERIALI DISPONIBILI.  
OTHER CONSTRUCTION MATERIALS ARE AVAILABLE.

- MONTAGGIO SFERA A "T"  
MOUNTING OF "T" BALL

REALISATIONS DANS D'AUTRES MATIERES  
WEITERE WERKSTOFFE ZU VERFUGUNG

MONTAGE SFERA EN "T"  
"T" KUGEL EINBAU